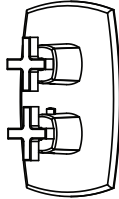
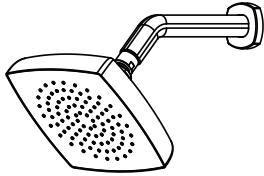


## 240.7000 | Single Output Shower W/ Shower Head & Arm



### COMPONENTS

- RHW.7C - 7" HEAD w/8" Arm
- 240.4000T - Shower Trim
- TVH.4101 - 3/4" Shower Valve

### SHOWER VALVE:

- Thermostatic shower valve
- Valve includes service stops
- Turn bottom handle to set temp.
- Top handle controls water volume.

### SHOWER HEAD:

- Solid brass construction
- 1.8 GPM flow rate

### STANDARDS:

- ASME A112.18.1 / CSA B125.1

See individual component specification sheets on following pages for further details.



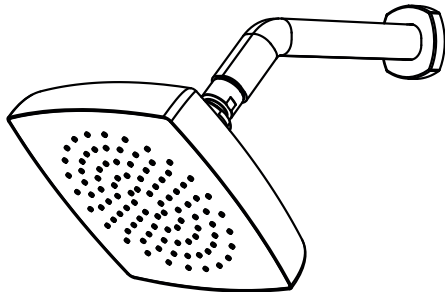
## RHW.7C | 7" Brass Shower Head With 8" Wall Mount Shower Arm

### SPECIFICATIONS:

- Solid Brass construction
- With Swivel action
- Shower arm has sliding flange

### STANDARDS:

- ASME A112.18.1 / CSA B125.1



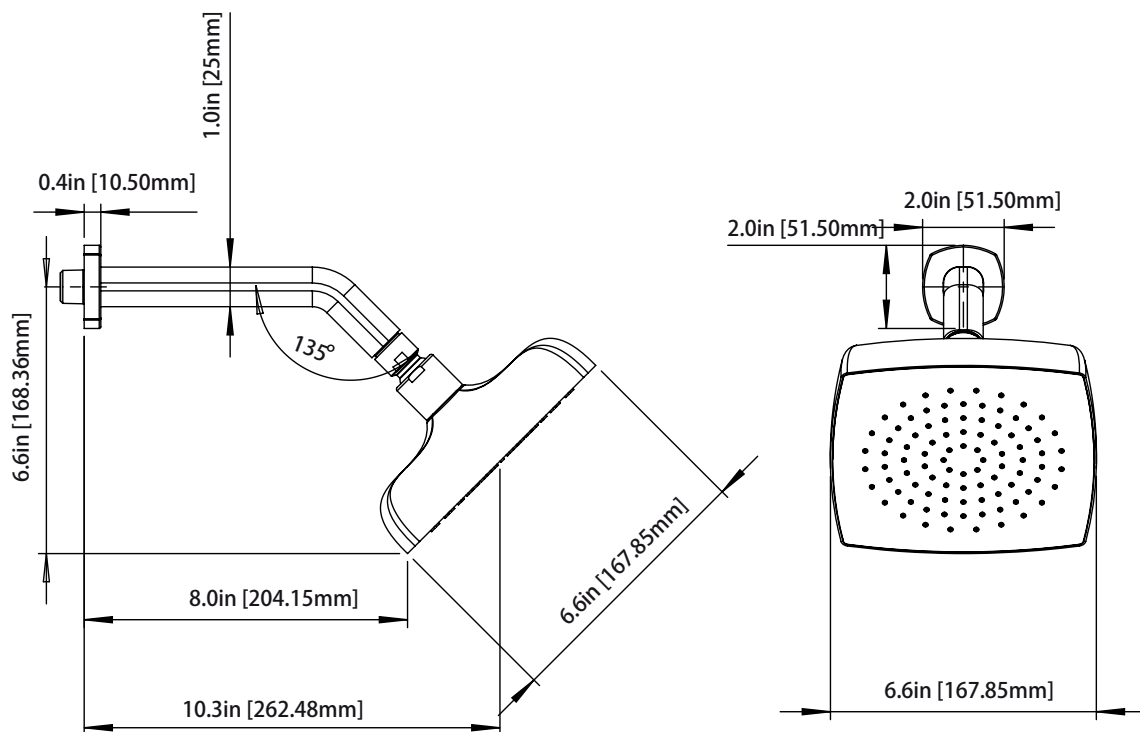
Legislation Compliance



ZeroDrip Technology

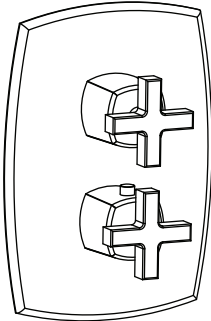


### Technical Diagram



**240.4000T | Thermostatic Shower Trim**

**SPECIFICATIONS:**



- Solid Brass Construction
- Valve not included - Trim only
- Turn bottom handle to control temperature.
- Turn top handle to control volume.

Belgian Mirror Finish



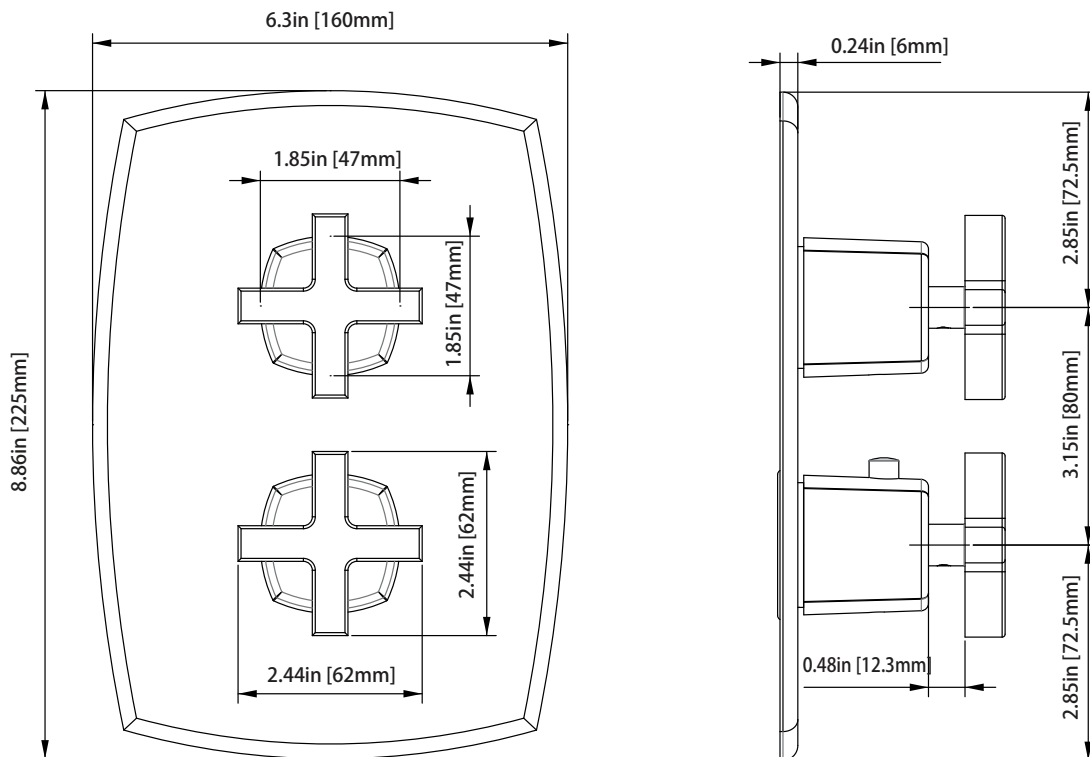
Legislation Compliance



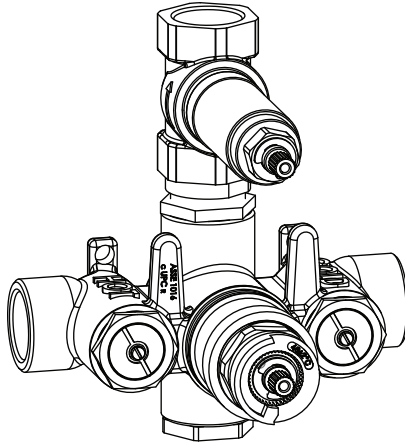
ZeroDrip Technology



**Technical Diagram**



TVH.4101 | 3/4" Thermostatic Valve With Volume Control Page 1 of 2



**SPECIFICATIONS:**

- Turn bottom knob to control temperature.
- Turn top knob to control water flow.
- Thermostatic Valve Flow Rate - 13.0 GPM @ 60 PSI

**STANDARDS:**

- ASME A112.18.1 / CSA B125.1

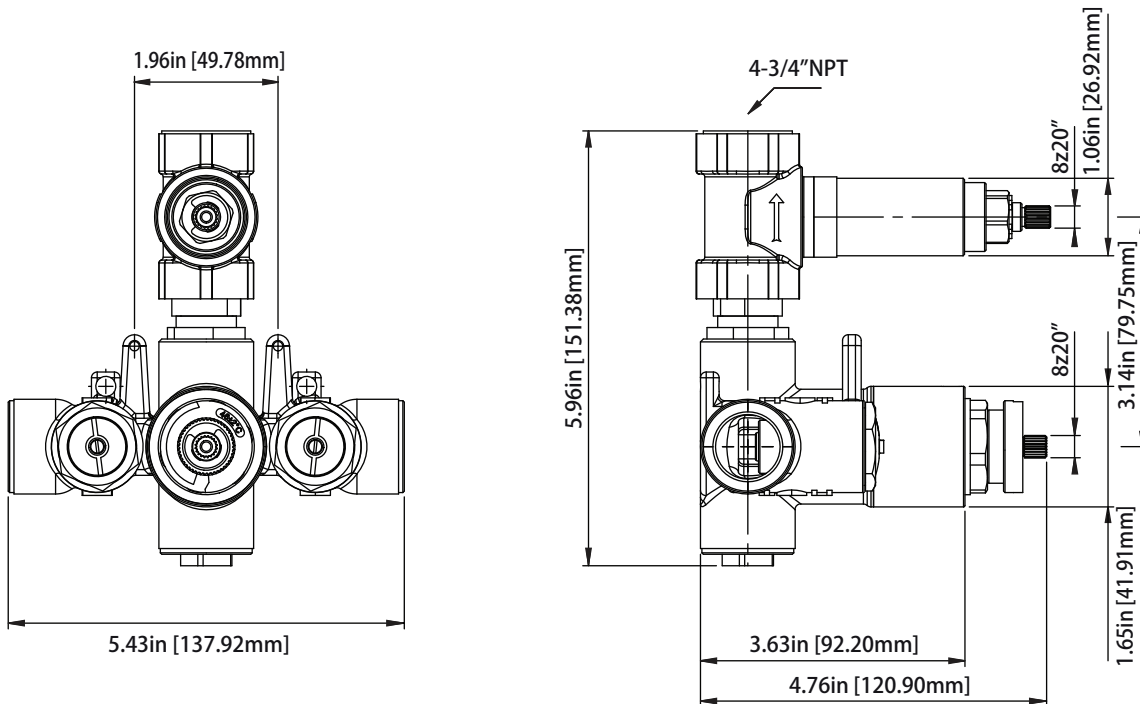
Legislation Compliance



ZeroDrip Technology



**Technical Diagram**



TVH.4101 | 3/4" Thermostatic Valve With Volume Control Page 2 of 2



Water Flow Diagram

